

KOLLU PANO KİLİTLERİ

SWING HANDLES

010-1

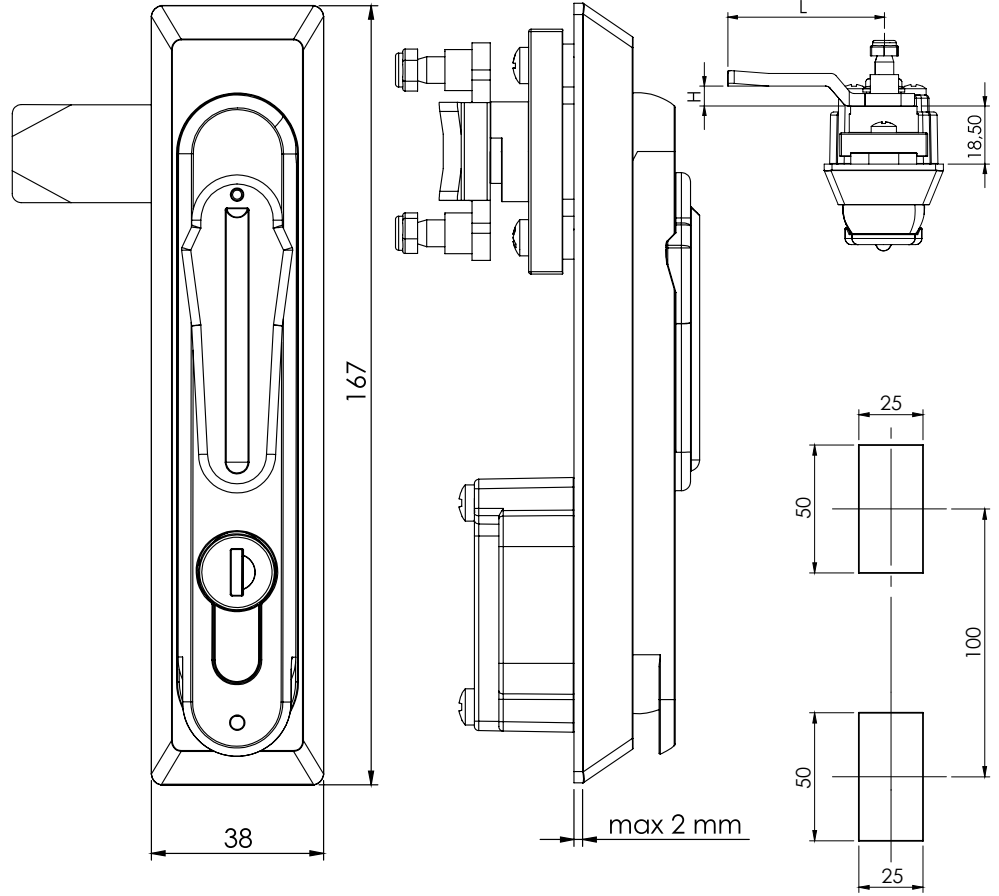
Kollu Pano Kilidi / Swing Handle

IP65

L / R



Asma Kilit
Padlock Device Selectable



KULLANIM ALANLARI:

Elektrik Panoları, Makine Kapakları,
Bilgisayar Kabinleri

APPLICATIONS:

Electric Panels, Machinery Covers,
Rack Cabinets

Kod
Code

010-1

Barel
Cylinder

CC

Dil
Cam

CM

Asma Kilit İçin

A

Padlock Device

MALZEME / MATERIAL	
GÖVDE BODY	Poliamid Polyamide
KOL HANDLE	Poliamid Polyamide
DİL CAM	Çelik Steel
CONTA SEAL	Poliüretan Polyurethane

BAREL / CYLINDER TYPE (CC)		CODE
	Aynı Şifreli / Keyed Alike	01
	Farklı Şifre / Keyed Different	02
	Eurokey (1333)	03

İSP. TIRNAKLI DİLLER / CAMs FOR ROD CONTROL (CM)							
	CODE	03	020	053	054	055	064
	H	8	0	0	12	4	0
L	49	51	60	54	52	55	

TIRNAKLI DİLLER / CAMs WITH STOPPER (CM)														
	CODE	01	02	05	06	07	08	09	010	019	043	045	046	086
	H	14	24	0	16	6	12	0	7	0	0	4	10	6
L	48	48	46	46	52	50	54	44	64	44	43	48	62	

BAREL / CYLINDER TYPE (CC)		
04	5 mm / DB	
05	8 mm Kare / Square	
06	9 mm Üçgen / Triangle	
08	10,5 mm Yarım Ay Half Round	